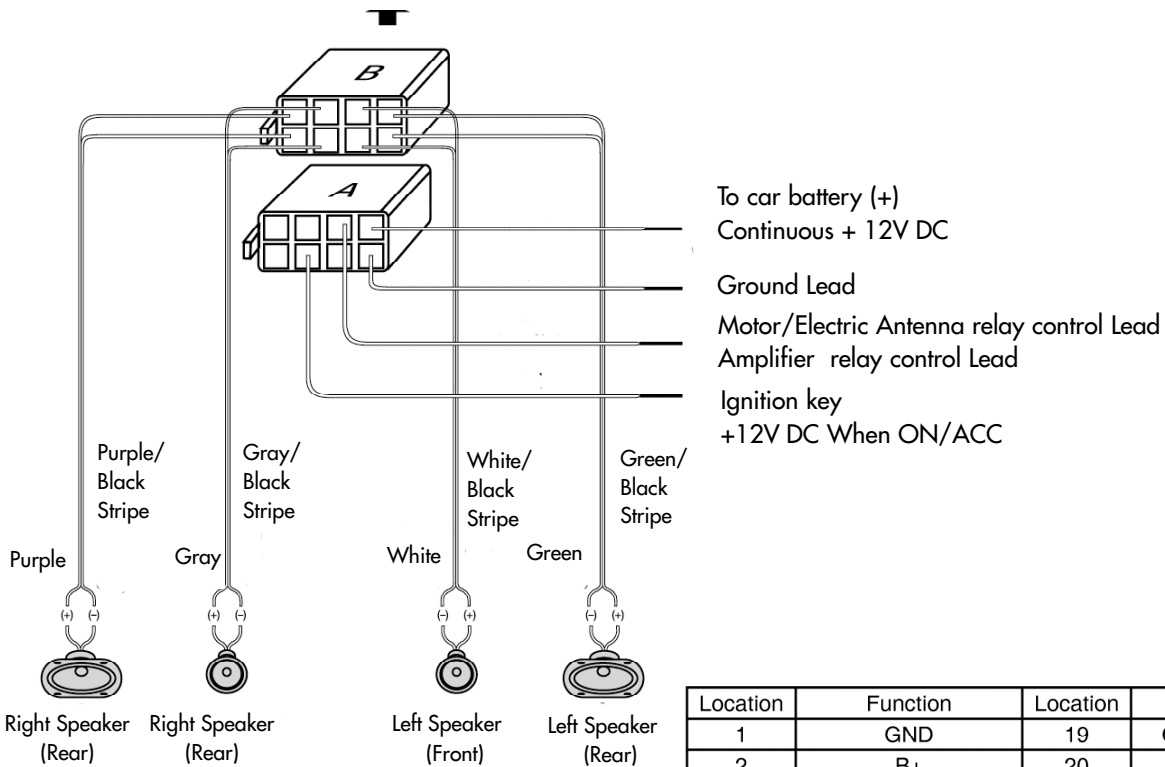
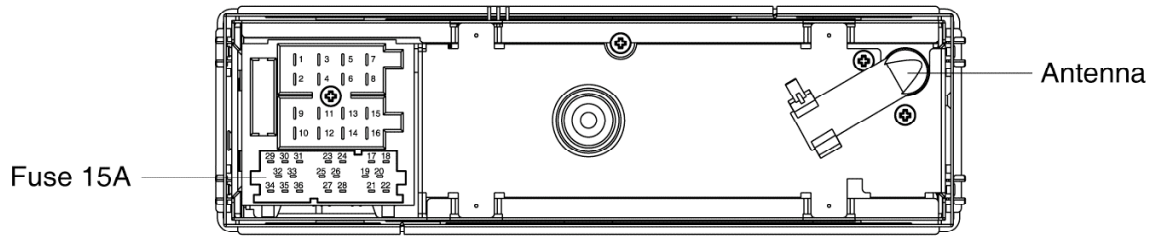


Electrical Connections Wiring Diagram



Location	Function	Location	Function
1	GND	19	CONTROL LINE
2	B+	20	LINE OUT GND
3		21	LINE OUT -L REAR
4	AUTO ANNA	22	LINE OUT-L FRONT
5	ACC	23	
6		24	TELE MUTE
7		25	
8		26	AUX IN GND
9	REAR LEFT(-)	27	AUX IN R
10	REAR LEFT(+)	28	AUX IN L
11	FRONT LEFT(-)	29	
12	FRONT LEFT(+)	30	
13	FRONT RIGHT(-)	31	
14	FRONT RIGHT(+)	32	
15	REAR RIGHT(-)	33	
16	REAR RIGHT(+)	34	
17	LINE OUT-R REAR	35	
18	LINE OUT-R FRONT	36	